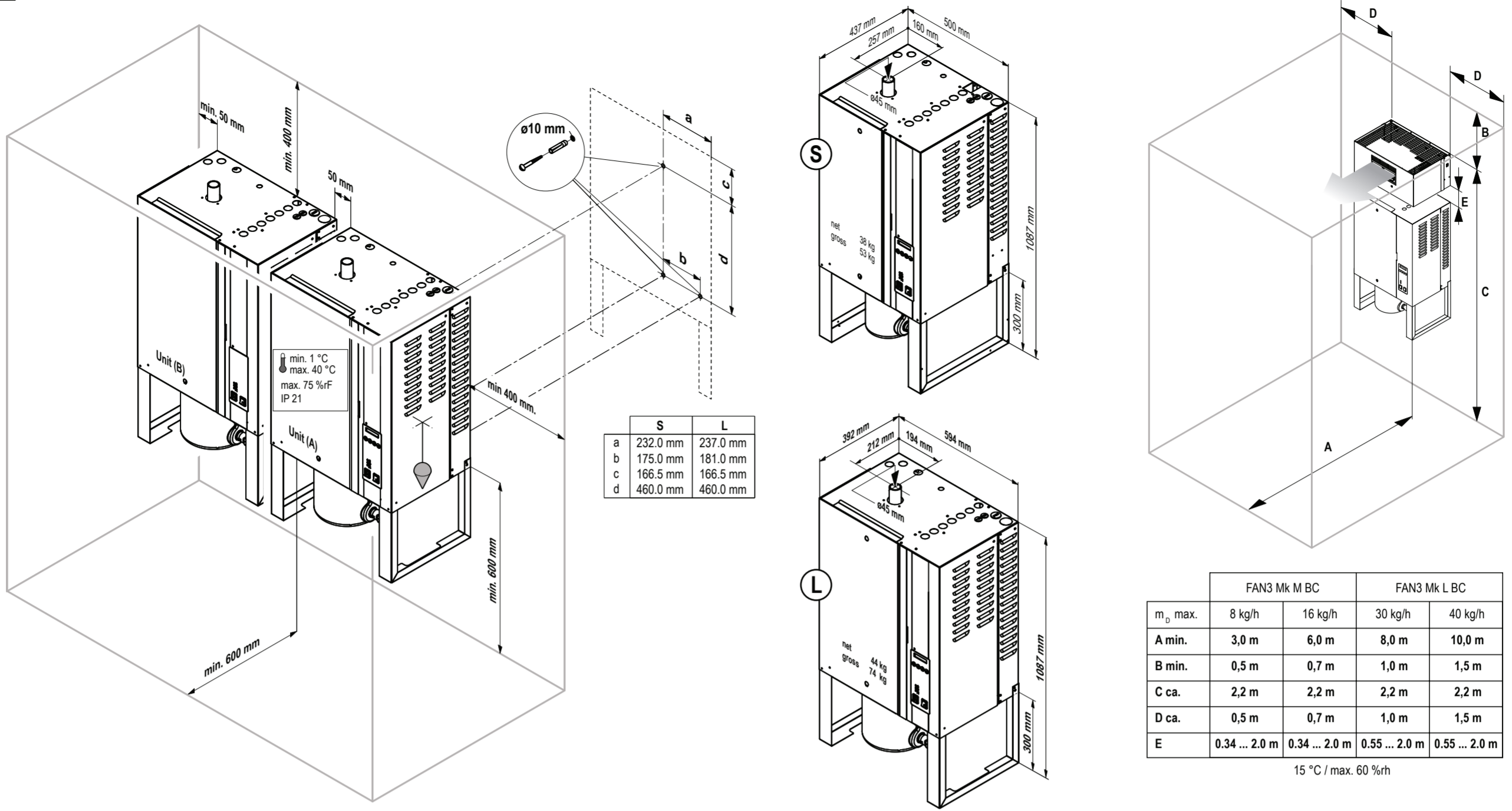
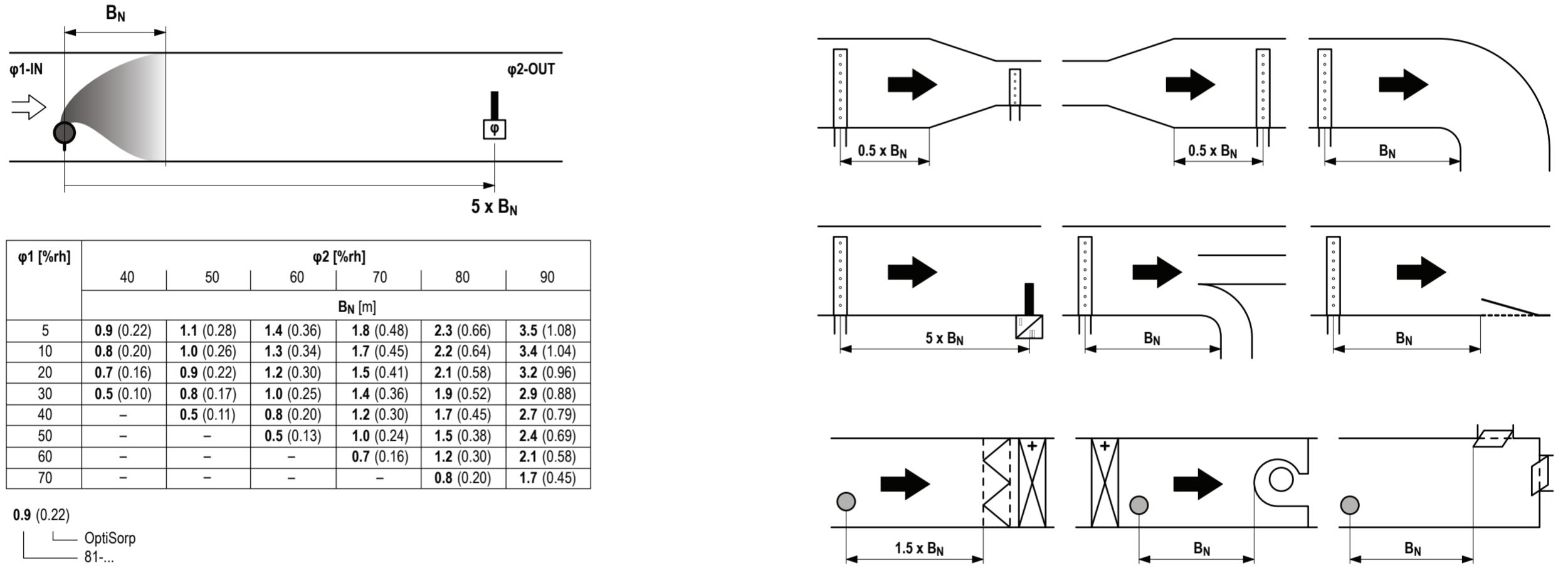


A



B



81-...	L [mm]	B [mm]	mD max.
81-200	350	400...600	10 kg/h
81-350	350	400...600	30 kg/h
81-500	500	550...750	30 kg/h
81-650	650	700...900	50 kg/h
81-800	800	900...1100	50 kg/h
81-1000	1000	1100...1300	50 kg/h
81-1200	1200	1300...1600	50 kg/h
81-1500	1500	1600...2000	50 kg/h
81-1800	1800	2000...2400	50 kg/h
81-2000	2000	2200...2600	50 kg/h
81-2300	2300	2500...2900	50 kg/h
81-2500	2500	2700...3100	50 kg/h

$f_{min} = 150 \text{ mm} / g_{min} = 100 \text{ mm} / h_{min} = 85 \text{ mm}$

